

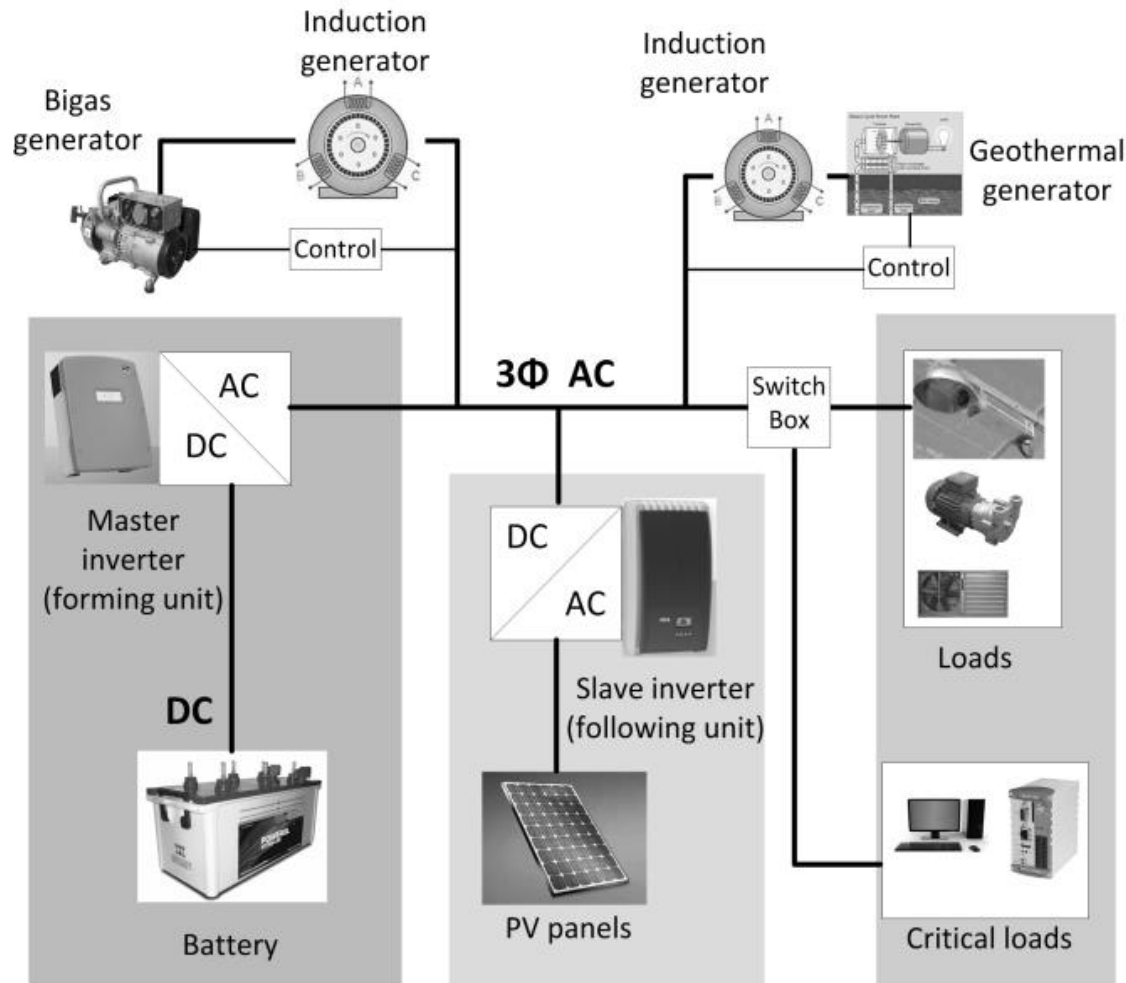
Smart Microgrid Concept

Simulation

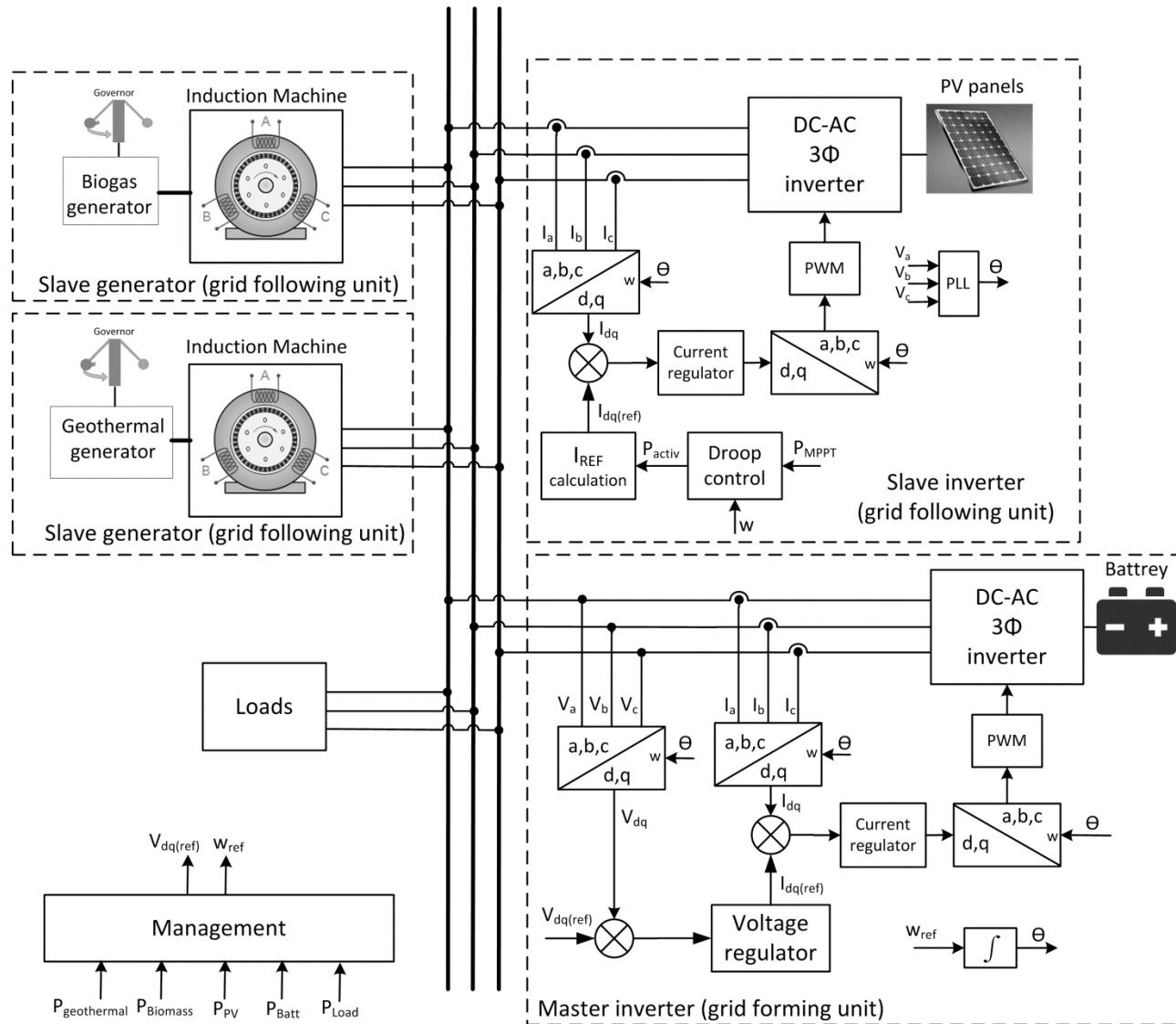
Dorin Petreuş, Toma Pătăraş, Radu Etz

UTCN

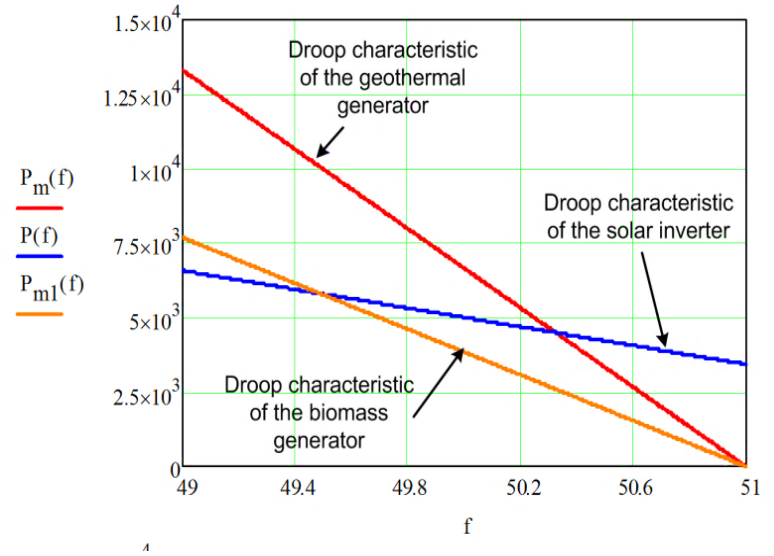
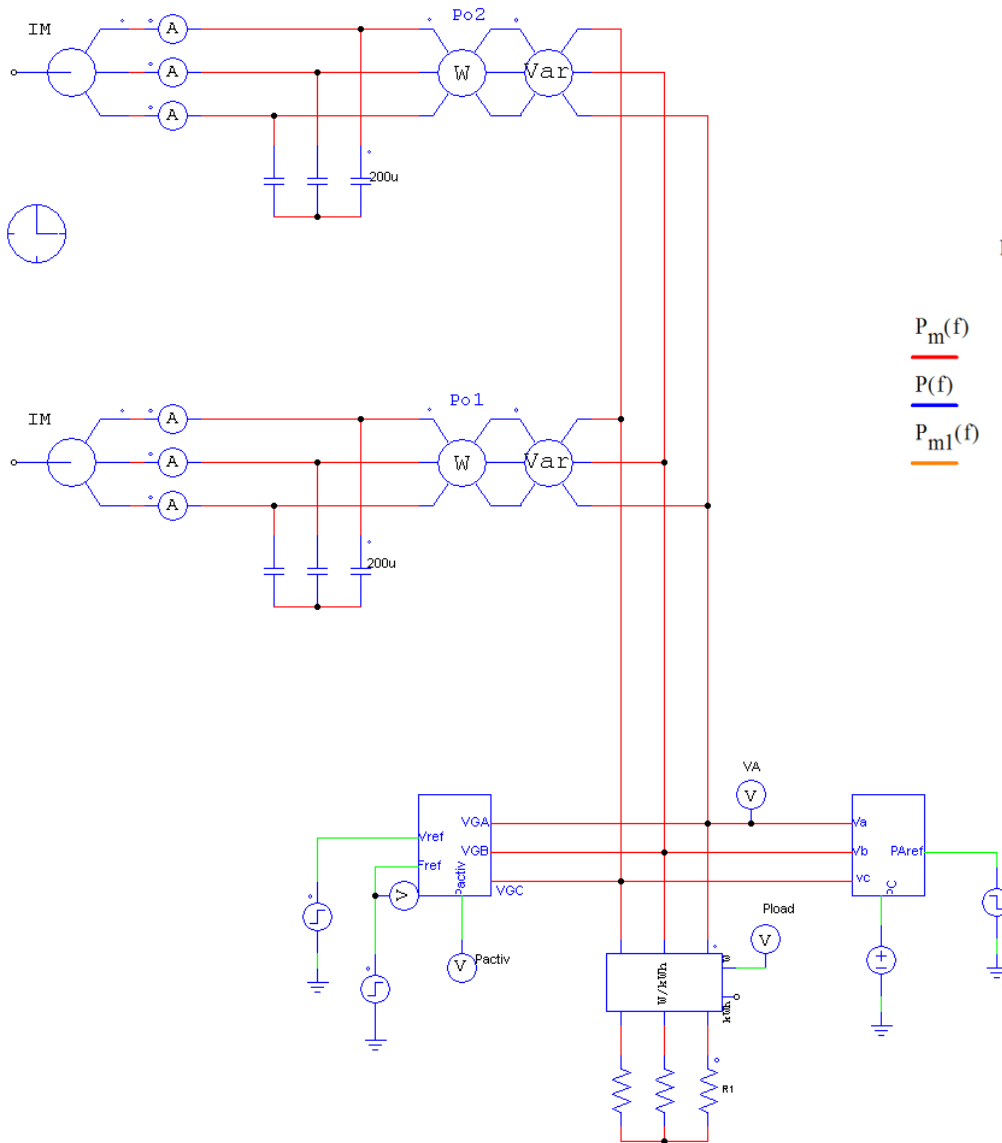
Structure of Microgrid



Control of Microgrid



Simulation



Scenario

